

# TRIPOD TURNSTILE

## FJC-Z3319B

The FJC-Z3319B automatic tripod turnstile is an important access control device of the FUJICA SYSTEM pedestrian control system. It forms an intelligent tripod turnstile management system in combination with management software, which can automatically manage entrance and exit control, attendance at work, and queuing for meals, etc., and achieve functions such as door access control, flow restriction, and attendance. It can be widely applied to entrances and exits of scenic spots, communities, stations, docks, large-scale venues, enterprises, factories, and mines, etc., and strictly ensure pedestrian passes one by one to prevent tailing.





## Application Scenarios



Community



Factory



Bank



Hotel



Airport



Office Building



## Key Features

- **Stable and reliable operation**

32-bit ARM processor, greatly improve the operation speed and stability of the system

- **Expand multiple functions**

Multiple expandable I/O ports, expandable to automatic identity recognition, and door access control and attendance, etc.

- **DC motor driving**

Brushless DC motor and perfectly combined with the potentiometer dip switch, to ensure smooth and stable operation

- **Equipment status indication**

Equipped with multiple groups of state indicator lights to display working states of key components, to facilitate daily operation and maintenance

- **Intelligent management capabilities**

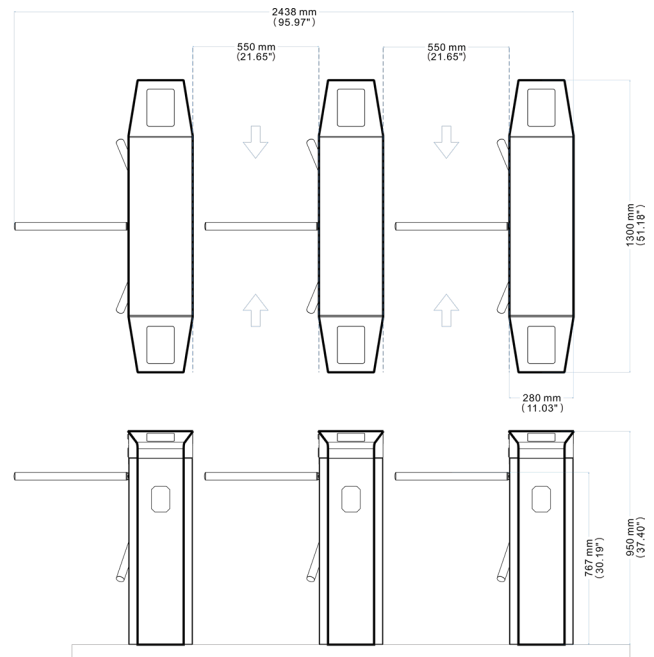
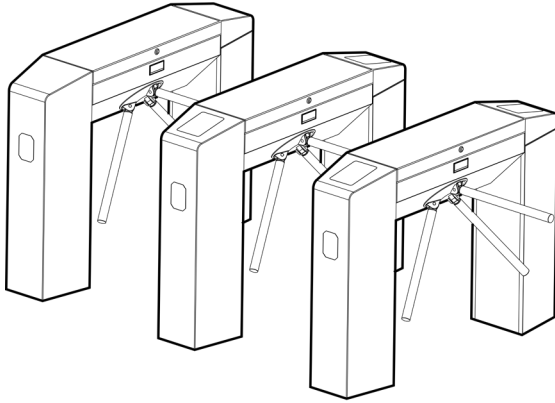
Access indicator lights, one-way or two-way access, counting, and automatically drop the bar after power off, etc.

- **Unique functional design**

Unique card reading and access display area, to guide pedestrians to operate correctly and pass quickly and orderly



## Dimensions (mm)



## Product Specifications

Product Model	FJC-Z3319B
Frame Material	304 stainless steel
Dimensions (L*W*H)	1,300*280*950mm
Lane Width	550-600mm
Working Voltage	AC 220V/110V±10% 50/60Hz
Total Power	50W
Communication Protocol	RS485 or TCP/IP
Working Temperature	-25°C to +70°C
Relative Humidity	≤95%, no condensation
Working Environment	Indoor and outdoor